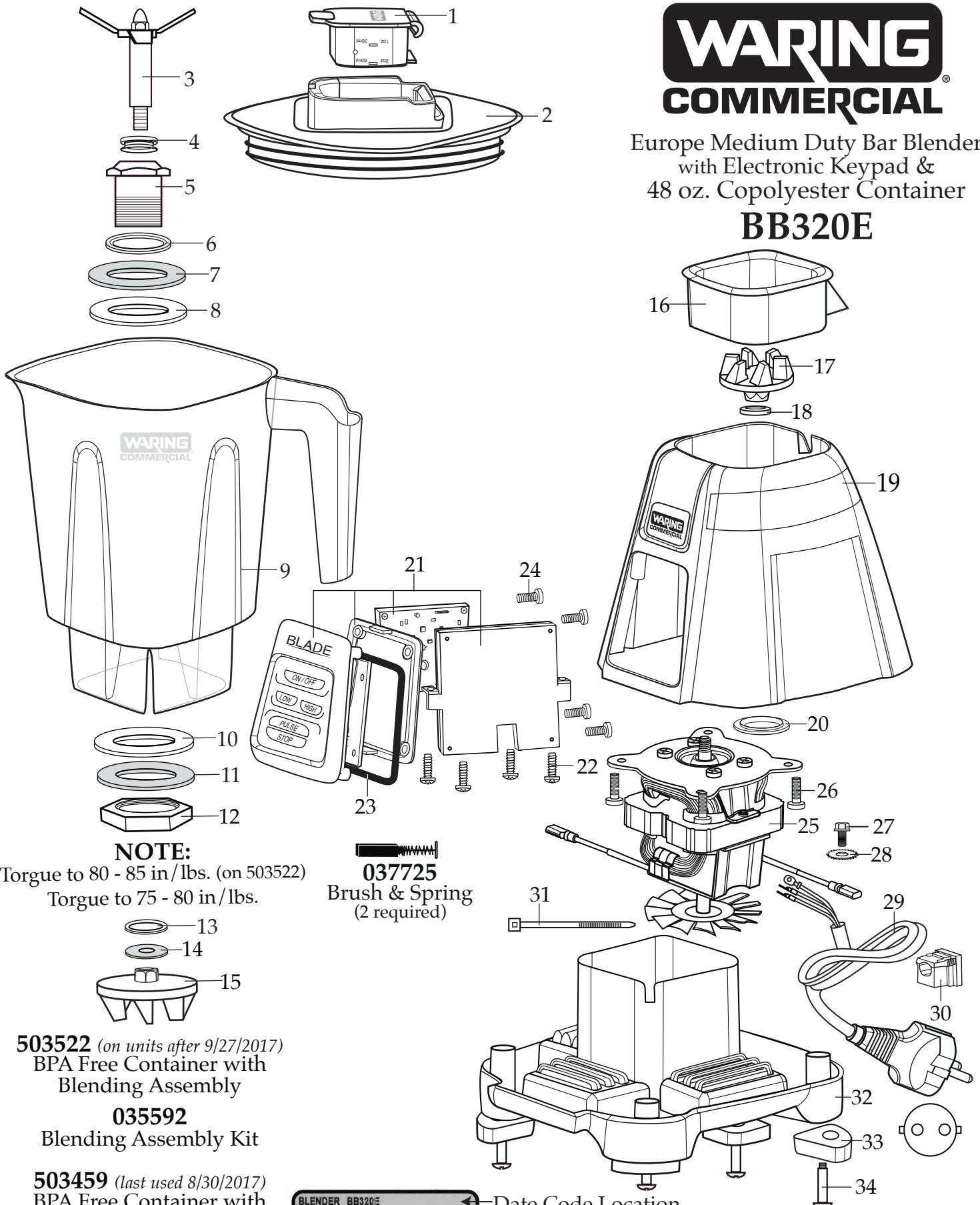


WARING COMMERCIAL®

Europe Medium Duty Bar Blender
with Electronic Keypad &
48 oz. Copolyester Container

BB320E



NOTE:

Torque to 80 - 85 in./lbs. (on 503522)
Torque to 75 - 80 in./lbs.

037725
Brush & Spring
(2 required)

503522 (on units after 9/27/2017)
BPA Free Container with
Blending Assembly

035592
Blending Assembly Kit

503459 (last used 8/30/2017)
BPA Free Container with
Blending Assembly



← Date Code Location
YY|MM|DD
year year | month month | day day

Illustration#	Part#	Description
1	035153	Jar Cover Lid
2	036319-P 036319-V 033625-M	Jar Lid / polyone <i>(on units after 2/1/2020)</i> Jar Lid / vinyl <i>(on units after 8/13/2018)</i> Jar Lid / monoprene
3	503444	Blade Assembly
4	027716	V Seal
5	503458	Bearing Holder / Seal Assembly
6	009724	Nylon Flat Washer
7	003537	Stainless Steel Washer
8	003509	Neoprene Washer (rubber)
9	033626	48 oz. Eastman BPA Free Copolyester Container
10	003509	Neoprene Washer (rubber)
11	003537	Stainless Steel Washer
12	034156	Bearing Holder Nut
13	003526	Phenolic Washer
14	035048	Flat Stainless Steel Washer
15	503520 032453	Coupling <i>(on units after 9/27/2017)</i> Coupling
16	033623	Jar Pad
17	503520 032453	Coupling <i>(on units after 9/27/2017)</i> Coupling
18	035756	Stainless Steel Cap Washer
19	033616	Top Housing
20	026269	Upper Motor Mount
21	035416	PCB Control Panel
22	033526	Screw (4 required)
23	033737	O Ring
24	026267	Screw (4 required)
25	035170	230 volt Chiaphua Motor
26	032611	Screw (4 required)
27	027278	Ground Screw (2 required)
28	002943	Washer (2 required)

Illustration#	Part#	Description
29	503490	Cordset Assembly
30	033619	Strain Relief
31	013731	Wire Tie (2 required)
32	035282	Bottom Housing
33	035287	Foot (4 required)
34	035260	Screw (4 required)

